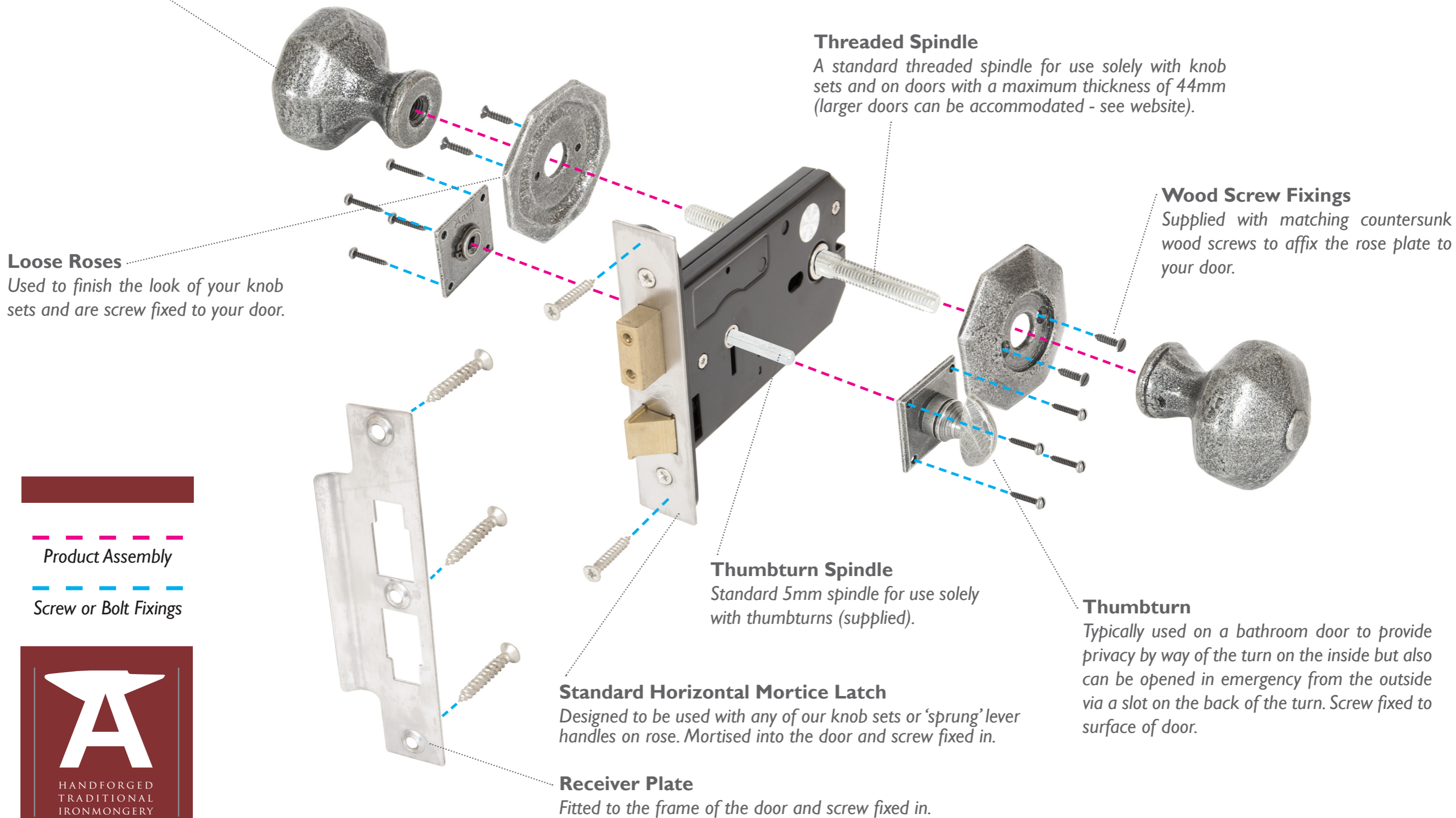


### Octagonal Knobs

A threaded door knob which fits only threaded spindles (supplied with knob) and is then fixed in place by way of a grub screw in the base of the knob.

## HORIZONTAL BATHROOM LOCK - KNOB SET & THUMBTURN

A standard 3 lever horizontal bathroom lock ideal for use with knob sets or lever handles on rose. This bathroom lock positions the knob/handle horizontally across your door and away from the frame. Shown here with the Octagonal Knob Set - Pewter Patina - 33643 and Diamond Bathroom Thumbturn - Pewter Patina - 18336.



### Threaded Spindle

A standard threaded spindle for use solely with knob sets and on doors with a maximum thickness of 44mm (larger doors can be accommodated - see website).

### Wood Screw Fixings

Supplied with matching countersunk wood screws to affix the rose plate to your door.

### Loose Roses

Used to finish the look of your knob sets and are screw fixed to your door.

### Thumbturn Spindle

Standard 5mm spindle for use solely with thumbturns (supplied).

### Thumbturn

Typically used on a bathroom door to provide privacy by way of the turn on the inside but also can be opened in emergency from the outside via a slot on the back of the turn. Screw fixed to surface of door.

### Standard Horizontal Mortice Latch

Designed to be used with any of our knob sets or 'sprung' lever handles on rose. Mortised into the door and screw fixed in.

### Receiver Plate

Fitted to the frame of the door and screw fixed in.

Product Assembly

Screw or Bolt Fixings



HANDFORGED  
TRADITIONAL  
IRONMONGERY