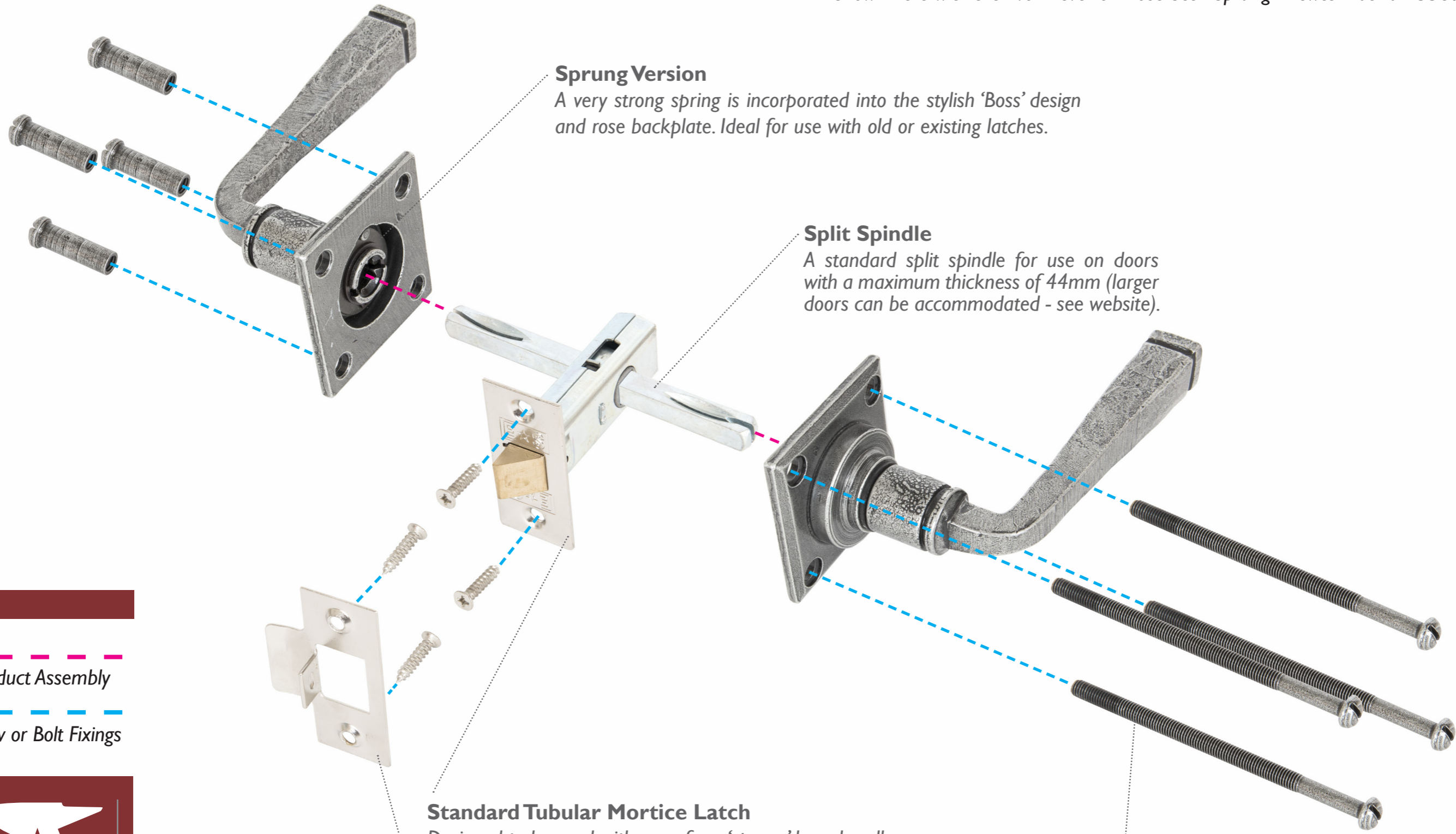


# TUBULAR MORTICE LATCH - STANDARD

A standard tubular mortice latch for use with any of our 'Sprung' lever latch handles.  
Shown here with the Avon Lever on Rose Set - Sprung - Pewter Patina - 33874/S



**Sprung Version**  
A very strong spring is incorporated into the stylish 'Boss' design and rose backplate. Ideal for use with old or existing latches.

**Split Spindle**  
A standard split spindle for use on doors with a maximum thickness of 44mm (larger doors can be accommodated - see website).

**Standard Tubular Mortice Latch**  
Designed to be used with any of our 'sprung' lever handles. Mortised into the door and screw fixed in.

**Receiver Plate**  
Fitted to the frame of the door and screw fixed in.

**Male/Female 'Bolt-through' Fixings**  
Male and female parts screw together to give a strong tight fixing. Wood screws also come packaged with this product.

Product Assembly  
Screw or Bolt Fixings

